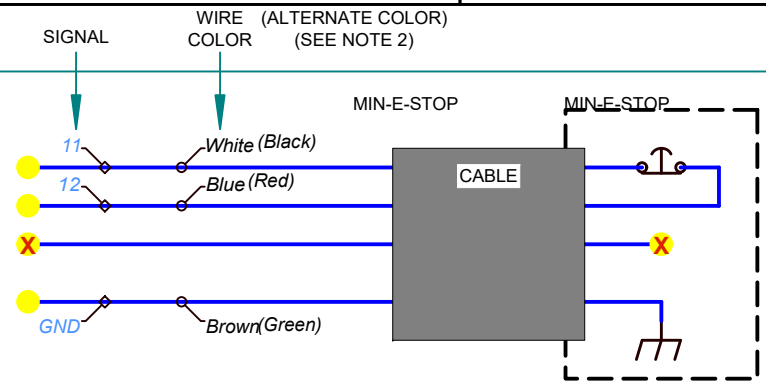
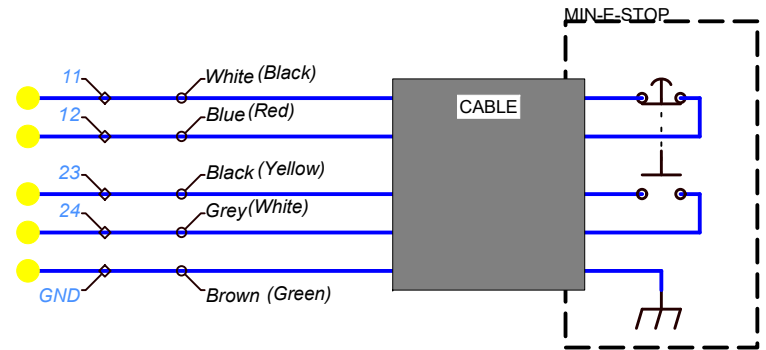


INTERNAL WIRING DIAGRAMS

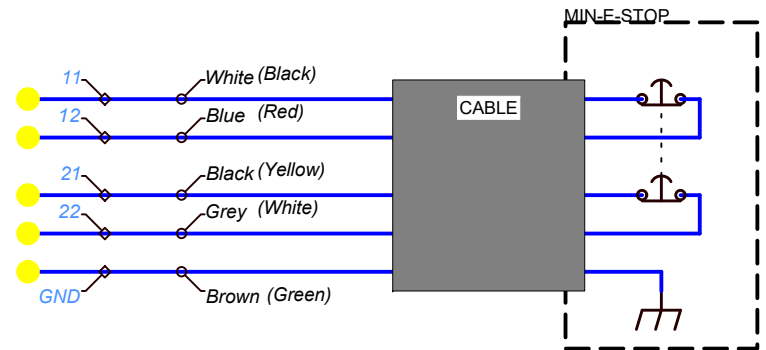
MODEL NUMBER: MES or MES-L-NC
 • CABLE EXIT: LEFT
 • CONTACT CONFIGURATION:
 • 1 x NC



MODEL NUMBER: MES-1-NONC
 • CABLE EXIT: LEFT
 • CONTACT CONFIGURATION:
 • 1 x NC, 1 x NO



MODEL NUMBER: MES-L-NC2
 • CABLE EXIT: LEFT
 • CONTACT CONFIGURATION:
 • 2 x NC

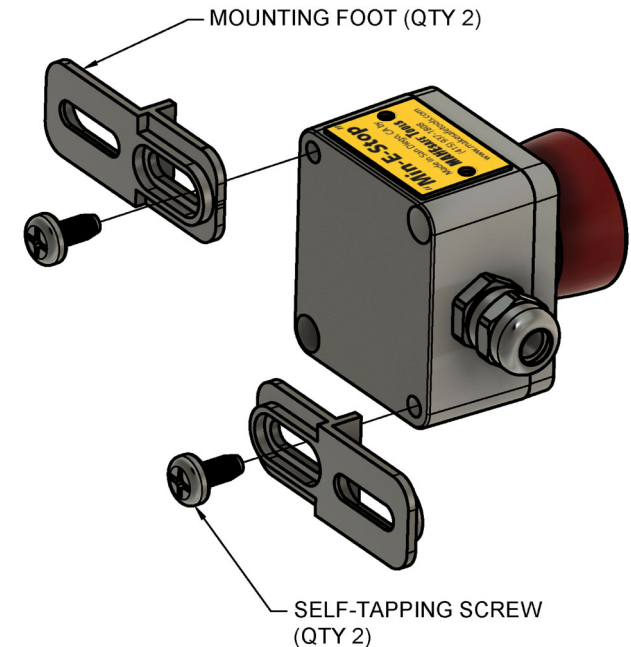


- NOTES
- GROUND WIRE IS CONNECTED TO ALUMINUM ENCLOSURE.
 - WIRE COLORS MAY CHANGE WITHOUT NOTICE. ALWAYS CONFIRM INTENDED OPERATION WITH A MULTI-METER BEFORE INSTALLING.
 - CABLE MAY INCLUDE ONE OR MORE UNUSED WIRES. PLEASE ISOLATE AND TERMINATE ANY UNUSED WIRES.
 - CIRCUIT PROTECTION SHOULD ALWAYS BE PROVIDED AND SIZED TO ENSURE THE SPECIFICATIONS ABOVE ARE NOT EXCEEDED.
 - SEE WEBSITE FOR PRINTABLE MOUNTING TEMPLATES: <https://makesafetools.com/mes>

SPECIFICATIONS

- E-Stop Button Specs:
- Actuation Style: latching, twist-to-release
 - Contact Ratings:
 - Double-break, gold-plated silver contact
 - Rated as "forced opening" per EN 60947-5-5
 - AC-15, as per EN IEC 60947-5-1:
 - 3A @ 120VAC
 - 1.5A @ 240VAC
 - DC-13, as per EN IEC 60947-5-1 (NC contacts):
 - 2.5A @ 12VDC
 - 2.5A @ 24VDC
 - 1.25A @ 48VDC
 - 1.0A @ 60VDC
 - Recommended min. operation: 1mA @ 1V
 - Illumination: (optional)
 - Rated Impulse Withstand Voltage: 4kV
 - Actuating force: 17N ±4N
 - IP Rating: IP67

- Cable Specs:
- Voltage Rating: 300V
 - Conductors: 22 AWG (0.34mm²)
 - Current Rating: 4A



MAKESAFE TOOLS, INC.
 ESCONDIDO, CA
 WWW.MAKESAFETOOLS.COM

THESE DESIGNS AND BOMS ARE THE CONFIDENTIAL PROPERTY OF MAKESAFE TOOLS, INC AND SHALL NOT BE DISTRIBUTED, SHARED, OR REPRODUCED WITHOUT EXPLICIT WRITTEN PERMISSION. MAKESAFE PRODUCTS ARE PROTECTED BY US PATENT NUMBER US10658953B2.

Sheet Title: MIN-E-STOP REFERENCE
 Customer: -
 Machine: -

Date: 7/12/24
 Version:
 Sheet: 1 of 1